

# TECHNICAL DATA SHEET

## RADIAL FAN nr. AFGG-40\_23



G&G filtration CZ, s.r.o.

A Hrubínova 1903/9, 66451 Šlapanice, CZ  
 IČ 05226953 IČ DPH CZ05226953  
 E [info@ggf.cz](mailto:info@ggf.cz) W [www.ggf.cz](http://www.ggf.cz)

### ITEM1

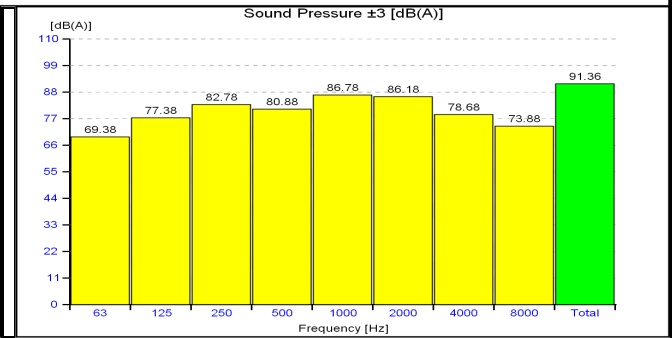
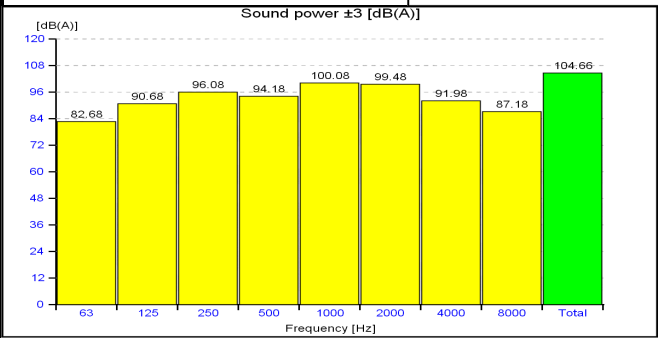
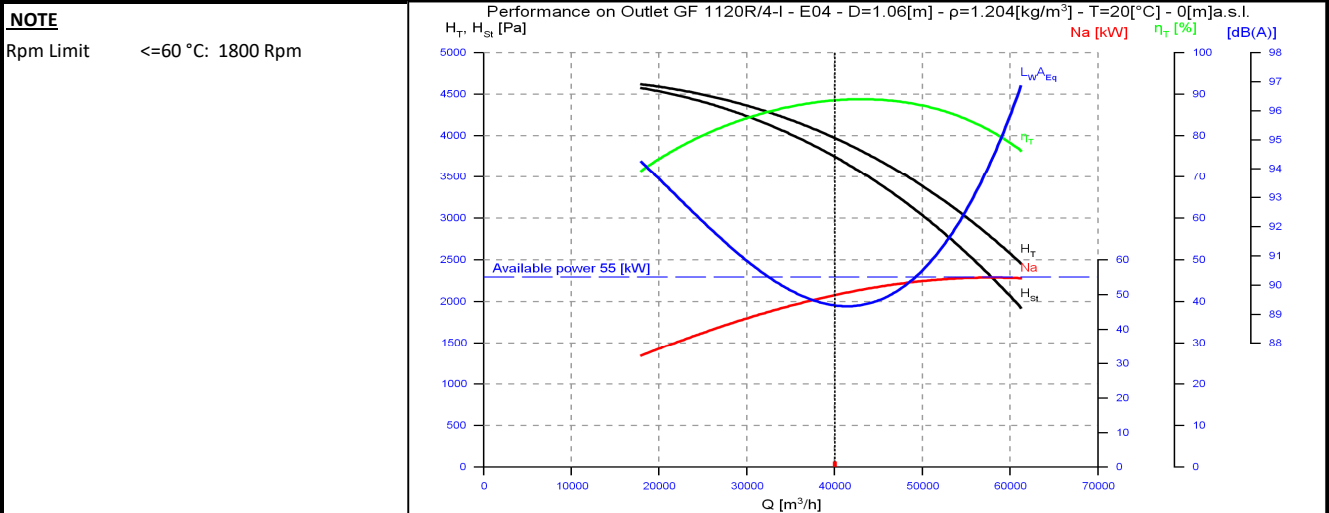
Document printed by Aeraulica - Dimensions and performances can be changed without prior notice

Type and characteristics of the requested machine		performance on		Outlet
Flow rate	40000 [m3/h]	Capacity (Normal)		37271 [Nm3/h]
Total pressure	4000 [Pa]	Static pressure		
Working fluid temperature	20 [°C]	Fluid specific weight		1.204 [Kg/m3]
Installation altitude	0 asl [m]	Specific weight std (20 [°C], 0 asl [m])		1.204 [Kg/m3]

Suggested model and effective characteristics				performance on		Outlet
Model	GF 1120R/4-I	Execution	E04	Installation Type	A (free inlet and outlet)	
Fluid specific weight	1.204	1.204 [Kg/m3]		Revolution fan speed		1475 [rpm]
Total pressure	3971	3971 [Pa]		Orientation		RD 0
Static pressure	3745	3745 [Pa]		Sound power L <sub>WA</sub>		104.66 [dB(A)]
Flow rate	40000	40000 [m3/h]		Sound pressure at mt.1.5 1/2 sf in open field		91.36 [dB(A)]
Capacity (Normal)	37271	37271 [Nm3/h]		Pipings	s>3mm = +3dB; 1mm<s<3mm = +4,5dB ; s<1mm = +6dB	
Power dem. at shaft	49.849	49.849 [kW]		Fan efficiency	Outlet	88.52 %
Motor power demand	49.849	49.849 [kW]				

Characteristics of chosen motor				Motor efficiency IEC 60034-30			IE3	PD <sup>2</sup> impeller	140.0	kgm <sup>2</sup>		
Code	250M04-50/std3P	shape	B3	Efficiency	94.6	95.1	95	PD <sup>2</sup> needed	138.68	kgm <sup>2</sup>		
Rated power	55.0 [kW]	n° poles	4	rpm	1482	Load	100%	75%	50%	PD <sup>2</sup> motor	225	kgm <sup>2</sup>

ErP 2009/125/CE Regulament (UE) N. 327/2011				Notes			
Efficiency grade	64	N	82.6	Total efficiency	84.39 %		
Impeller type	backward blades	Type of test	B/total	Flow rate	43056 [m3/h]	Pressure	3552 [Pa]



values of the noise of fan obtained in ambient not reverberant with inlet and outlet ducts fully insulated

# TECHNICAL DATA SHEET

## RADIAL FAN nr. AFGG-40\_23



G&G filtration CZ, s.r.o.

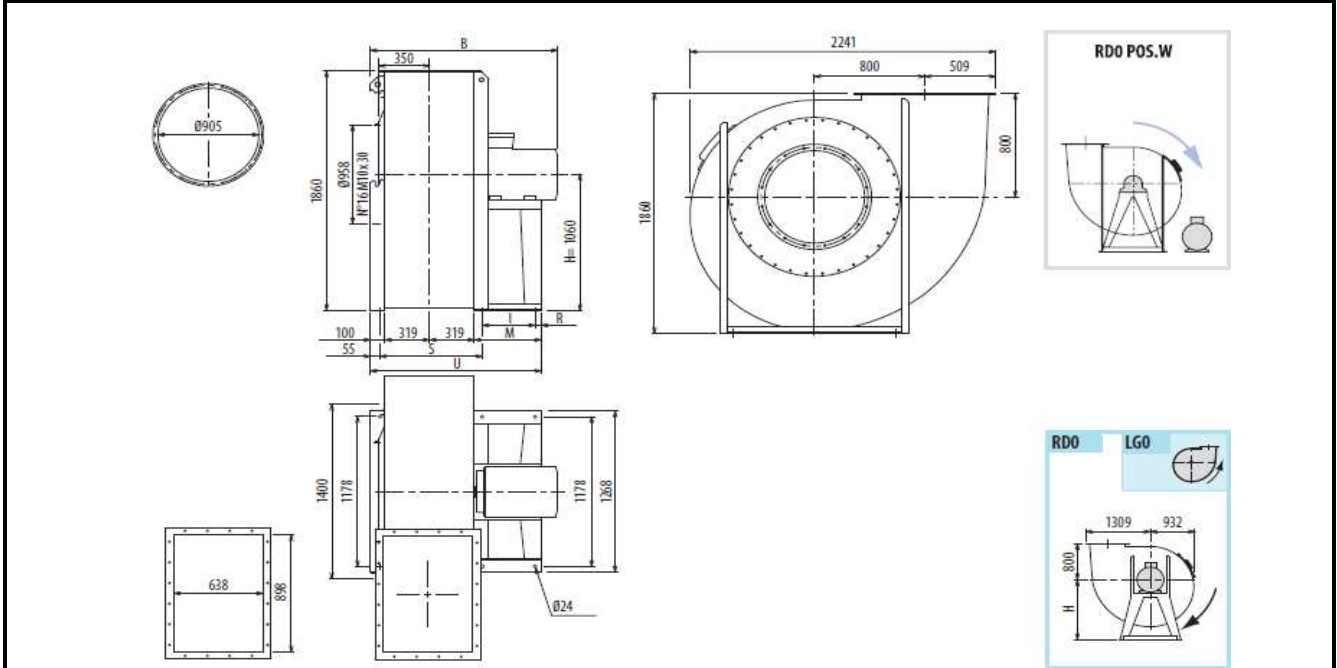
A Hrubínova 1903/9, 66451 Šlapanice, CZ

IČ 05226953 IČ DPH CZ05226953

E [info@ggf.cz](mailto:info@ggf.cz) W [www.ggf.cz](http://www.ggf.cz)

### ITEM1

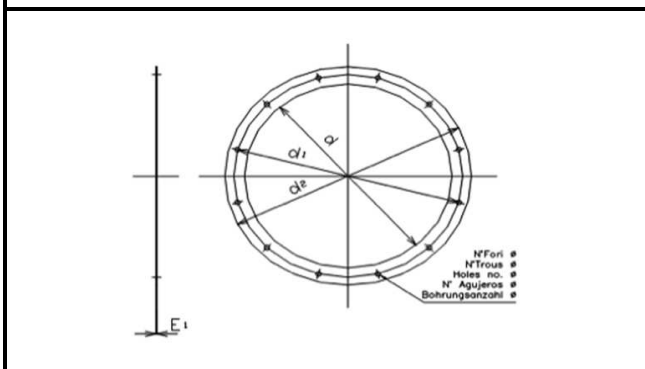
Document printed by Aeraulica - Dimensions and performances can be changed without prior notice



Indicative measures in the standard configuration. For detailed information contact your reference.

Indicative value of weight including standard motor.

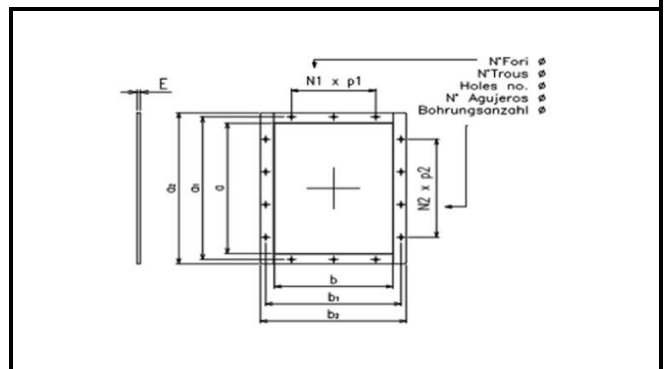
B	I	H	H1	H2	M	R	S	U	PD2	kg		
1555	475	1060	800	1320	600	45	763	1338	140	12.10		



Cod	dxn°	d1	d2	Φ	E1
0905 A	905x16	958	1005	14	6

--	--	--	--	--	--

--	--	--	--	--	--



Cod	axb	a1	b1	a2	b2
0898x0638	898x638	968	708	1018	758

N1xp	N2xp	n°	Φ	E	
3x200	4x200	18	14	8	

--	--	--	--	--	--