

TECHNICAL DATA SHEET

RADIAL FAN nr. AFGG-40_18



G&G filtration CZ, s.r.o.

A Hrubínova 1903/9, 66451 Šlapanice, CZ
 IČ 05226953 IČ DPH CZ05226953
 E info@ggf.cz W www.ggf.cz

ITEM1

Document printed by Aeraulica - Dimensions and performances can be changed without prior notice

Type and characteristics of the requested machine				performance on		Outlet					
Flow rate	19000 [m3/h]	Capacity (Normal)			17704 [Nm3/h]						
Total pressure	4000 [Pa]	Static pressure									
Working fluid temperature	20 [°C]	Fluid specific weight			1.204 [Kg/m3]						
Installation altitude	0 asl [m]	Specific weight std (20 [°C], 0 asl [m])			1.204 [Kg/m3]						
Suggested model and effective characteristics				performance on		Outlet					
Model	GF 630R/2-A-I	Execution	E04	Installation Type	A (free inlet and outlet)						
Fluid specific weight	1.204	1.204 [Kg/m3]		Revolution fan speed		2960	[rpm]				
Total pressure	4131	4131 [Pa]		Orientation		RD 0					
Static pressure	3631	3631 [Pa]		Sound power LwA		107.36	[dB(A)]				
Flow rate	19000	19000 [m3/h]		Sound pressure at mt.1.5 1/2 sf in open field		94.06	[dB(A)]				
Capacity (Normal)	17704	17704 [Nm3/h]		Pipings	s>3mm = +3dB; 1mm<s<3mm = +4,5dB ; s<1mm = +6dB						
Power dem. at shaft	25.77	25.77 [kW]		Fan efficiency	Outlet	84.61	%				
Motor power demand	25.77	25.77 [kW]									
Characteristics of chosen motor				Motor efficiency IEC 60034-30			IE3				
Code	200LA2-50/std3P	shape	B3	Efficiency	93.3	93.5	92.9	PD ² impeller	5.5	kgm ²	
Rated power	30.0 [kW]	n° poles	2	rpm	2960			PD ² needed	5.5	kgm ²	
				Load	100%	75%	50%	PD ² motor	32.4	kgm ²	
ErP 2009/125/CE Regulament (UE) N. 327/2011				Notes							
Efficiency grade	64			N	79.8	Total efficiency		80.77	%		
Impeller type	backward blades	Type of test	B/total	Flow rate	16390.98 [m3/h]	Pressure		4372 [Pa]			
NOTE	Performance on Outlet GF 630R/2-A-I - E04 - D=0.6[m] - ρ=1.204[kg/m ³] - T=20[°C] - 0[m]a.s.l.										
Rpm Limit	<=60 °C: 3100 Rpm										
values of the noise of fan obtained in ambient not reverberant with inlet and outlet ducts fully insulated											

TECHNICAL DATA SHEET

RADIAL FAN nr. AFGG-40_18



G&G filtration CZ, s.r.o.

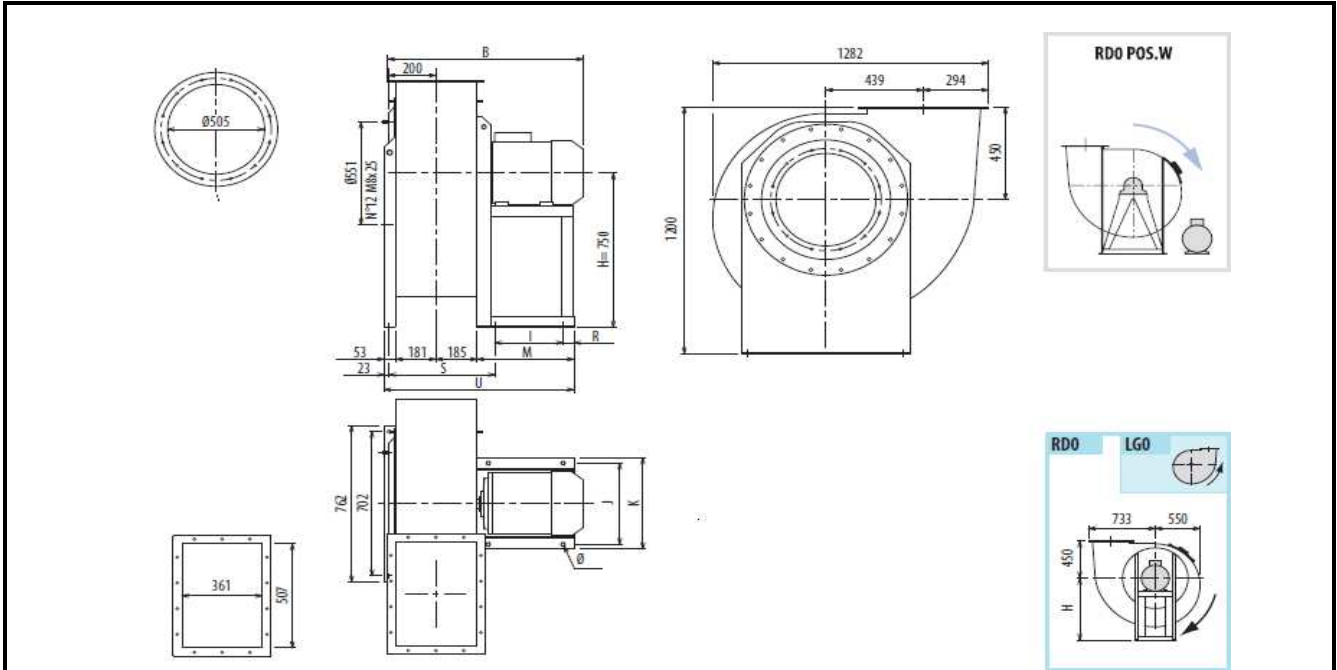
A Hrubínova 1903/9, 66451 Šlapanice, CZ

IČ 05226953 IČ DPH CZ05226953

E info@ggf.cz W www.ggf.cz

ITEM1

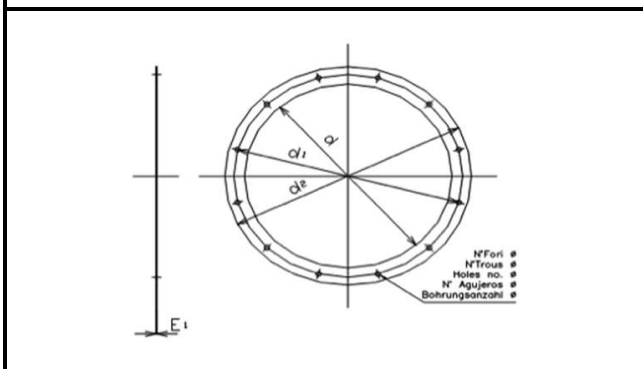
Document printed by Aeraulica - Dimensions and performances can be changed without prior notice



Indicative measures in the standard configuration. For detailed information contact your reference.

Indicative value of weight including standard motor.

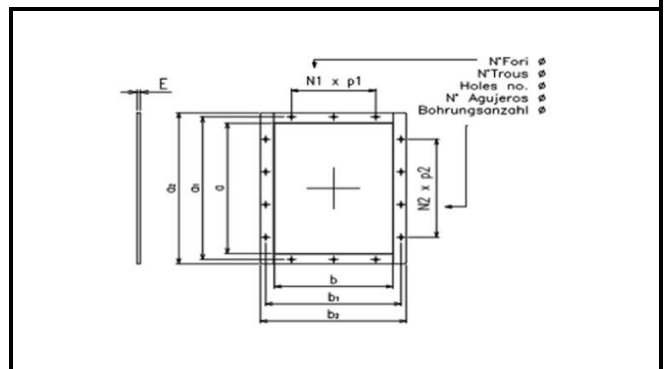
B	I	H	H1	H2	J	K	M	R	S	U	Φ	PD2
1086	381	750	450	750	506	568	509	48	475	927	20	5,5
kg												
438												



Cod	dxn°	d1	d2	Φ	E1
0505 A	505x12	551	585	14	4

--	--	--	--	--	--

--	--	--	--	--	--



Cod	axb	a1	b1	a2	b2
0507x0361	507x361	551	405	587	441

N1xp	N2xp	n°	Φ	E	
2x125	3x125	14	12	4	

--	--	--	--	--	--