

# TECHNICAL DATA SHEET

## RADIAL FAN nr. AFGG-35\_07



G&G filtration CZ, s.r.o.

A Hrubínova 1903/9, 66451 Šlapanice, CZ  
 IČ 05226953 IČ DPH CZ05226953  
 E [info@ggf.cz](mailto:info@ggf.cz) W [www.ggf.cz](http://www.ggf.cz)

**ITEM1**

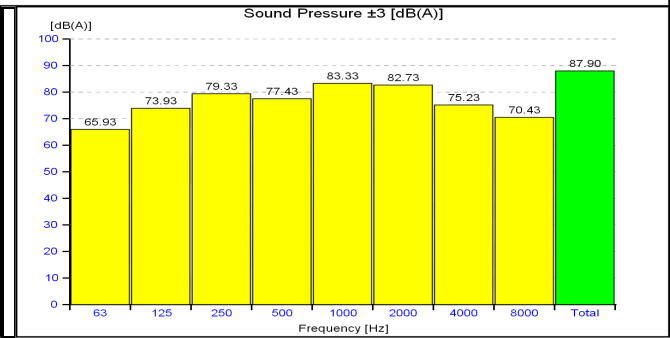
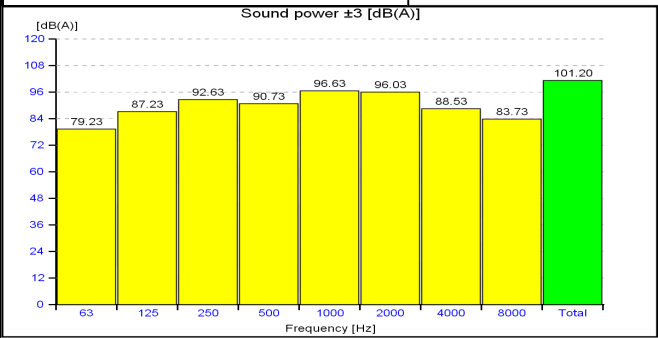
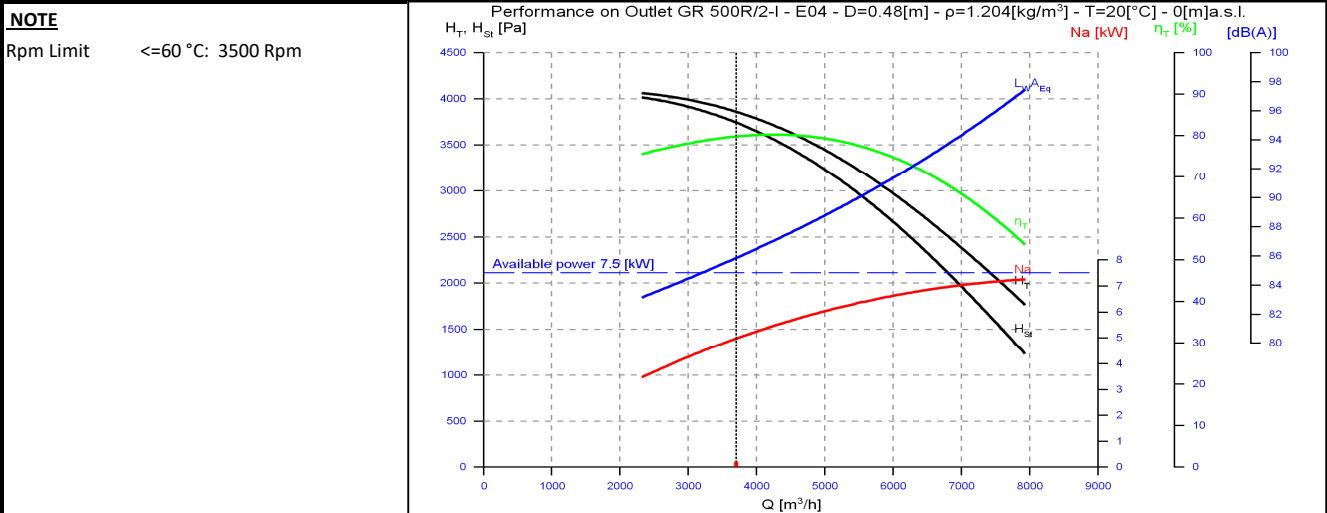
Document printed by Aeraulica - Dimensions and performances can be changed without prior notice

Type and characteristics of the requested machine		performance on		Outlet
Flow rate	3700 [m3/h]	Capacity (Normal)		3448 [Nm3/h]
Total pressure	3550 [Pa]	Static pressure		
Working fluid temperature	20 [°C]	Fluid specific weight		1.204 [Kg/m3]
Installation altitude	0 asl [m]	Specific weight std (20 [°C], 0 asl [m])		1.204 [Kg/m3]

Suggested model and effective characteristics				performance on		Outlet
Model	GR 500R/2-I	Execution	E04	Installation Type	A (free inlet and outlet)	
Fluid specific weight	1.204	1.204 [Kg/m3]		Revolution fan speed		2930 [rpm]
Total pressure	3859	3859 [Pa]		Orientation		RD 0
Static pressure	3742	3742 [Pa]		Sound power LwA		101.2 [dB(A)]
Flow rate	3700	3700 [m3/h]		Sound pressure at mt.1.5 1/2 sf in open field		87.9 [dB(A)]
Capacity (Normal)	3448	3448 [Nm3/h]		Pipings	s>3mm = +3dB; 1mm<s<3mm = +4,5dB; s<1mm = +6dB	
Power dem. at shaft	4.971	4.971 [kW]		Fan efficiency	Outlet	79.79 %
Motor power demand	4.971	4.971 [kW]				

Characteristics of chosen motor				Motor efficiency IEC 60034-30			PD <sup>2</sup> impeller	1.8	kgm <sup>2</sup>			
Code	132SB2-50/std3	shape	B3	Efficiency	90.1	91	91	PD <sup>2</sup> needed	1.78	kgm <sup>2</sup>		
Rated power	7.5 [kW]	n° poles	2	rpm	2950	Load	100%	75%	50%	PD <sup>2</sup> motor	9	kgm <sup>2</sup>

ErP 2009/125/CE Regulament (UE) N. 327/2011		Notes	
Efficiency grade	64	N	75.3
Impeller type	backward blades	Type of test	B/total
		Flow rate	4259.86 [m3/h]
		Pressure	3553 [Pa]
		Total efficiency	72.97 %



values of the noise of fan obtained in ambient not reverberant with inlet and outlet ducts fully insulated

# TECHNICAL DATA SHEET

## RADIAL FAN nr. AFGG-35\_07



G&G filtration CZ, s.r.o.

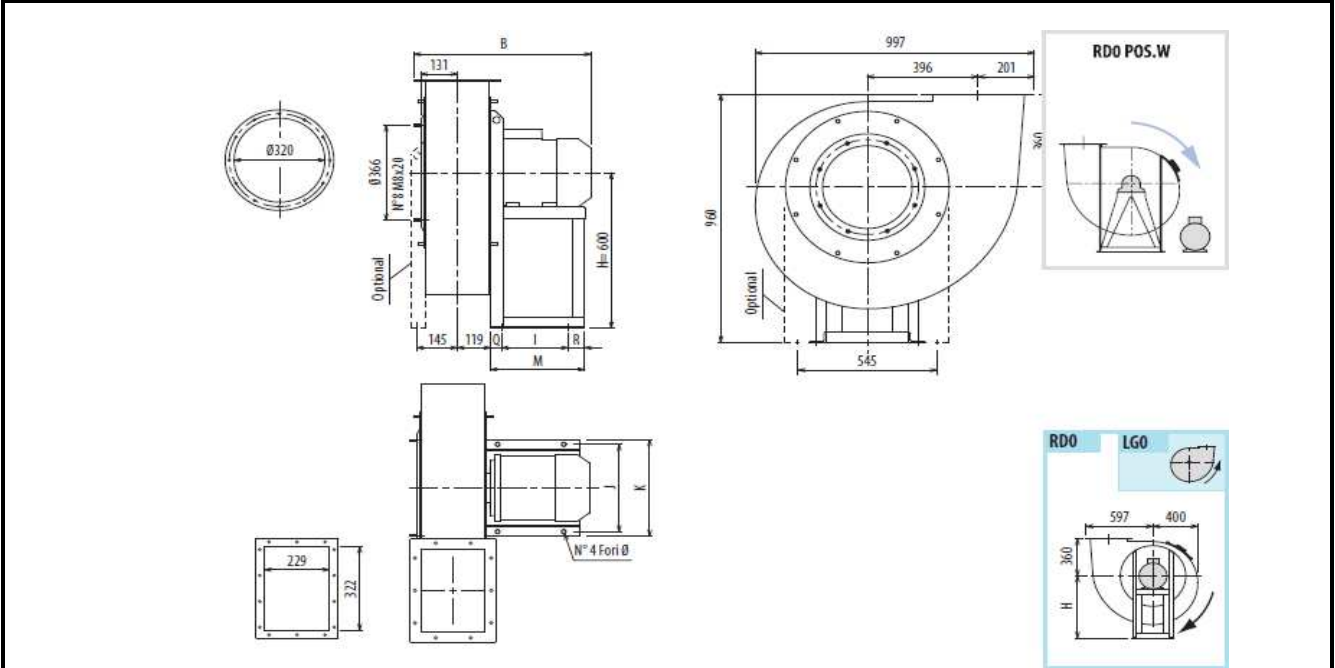
A Hrubínova 1903/9, 66451 Šlapanice, CZ

IČ 05226953 IČ DPH CZ05226953

E [info@ggf.cz](mailto:info@ggf.cz) W [www.ggf.cz](http://www.ggf.cz)

### ITEM1

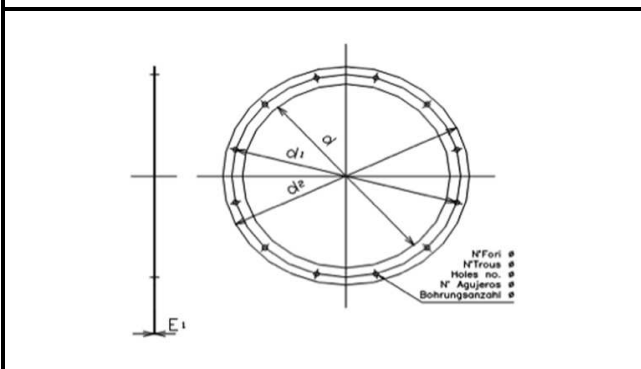
Document printed by Aeraulica - Dimensions and performances can be changed without prior notice



Indicative measures in the standard configuration. For detailed information contact your reference.

Indicative value of weight including standard motor.

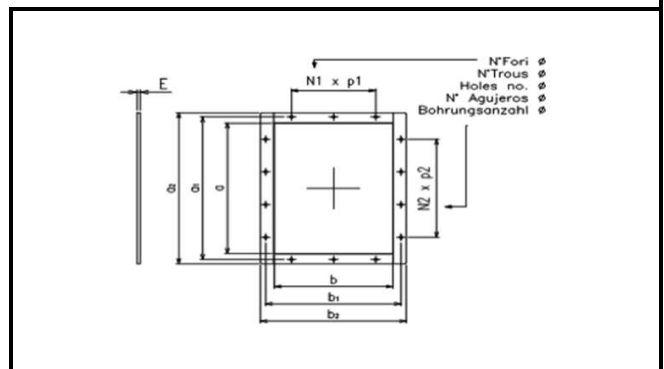
B	I	H	H1	H2	J	K	M	Q	R	Φ	PD2	kg
640	237	600	360	600	337	372	346	44	64	12	1,8	145



Cod	dxn°	d1	d2	Φ	E1
0320 A	320x8	366	400	12	4

--	--	--	--	--	--

--	--	--	--	--	--



Cod	axb	a1	b1	a2	b2
0322x0229	322x229	366	273	402	309

N1xp	N2xp	n°	Φ	E
1x125	2x125	10	12	4

--	--	--	--	--